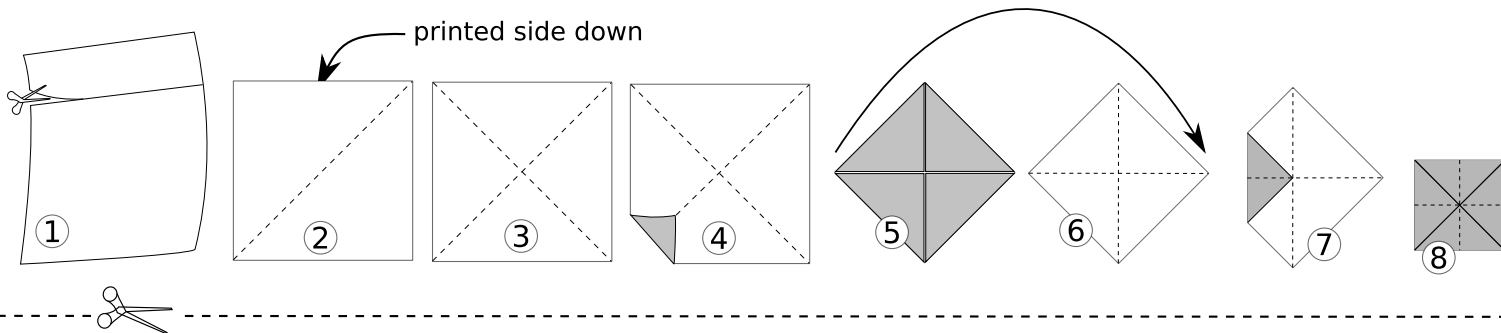


# How to make your Rhythm Maker



"ka"	VOICE	LOUD	"teke"
MED	subdiv. 1	subdiv. 3	SOFT
LOUD	subdiv. 2	subdiv. 4	MED
your sound	SOFT	VOICE	"ten"